

# VULCAN®

## GAS & ELECTRIC HOT WATER



GAS



ELECTRIC



### THAT'S VULCAN® VALUE

High quality and performance at a very affordable price. Three good reasons why Vulcan is such a popular choice for reliable water heating.

**Vulcan is built with the best:** Quality materials and proven technology make Vulcan a great choice.

**Vulcan is tough:** The Vulcan storage cylinder is made from high strength steel tough enough to withstand varying water and heating cycle pressures.

**Vulcan is adaptable:** The balanced flue and steel jackets make Vulcan gas models easy to install and easy to live with. They can be installed on an approved base against a wall or recessed into a wall cavity.

**Vulcan has backup:** If you need a spare part for your Vulcan it's good to know they are readily available across the country and can be serviced by most plumbers or electricians.



FORGED TOUGH

# HOW TO CHOOSE THE RIGHT VULCAN®

Many households change over time, so it's important to make sure you select the model to suit your needs both now and as your family grows. Take into consideration appliances such as washing machines and dishwashers, which can use as much hot water as one person. Also allow for family additions and don't forget – small children grow into large teenagers.

Use the charts below as a guide for calculating your average usage, and for selecting the right Vulcan model for you.

Vulcan Gas				
	Warranty		Model	
Vulcan Quick Recovery	7 Years <sup>†</sup>		648135	648170
Trim Kit	–		FK135	FK170
AGA Energy Gas Rating	Stars		4	4
Storage Capacity	Litres		135	170
Dimensions	A	mm	1558	1858
	B	mm	422	422
	C	mm	502	502
	D	mm	988	1213
	E	mm	328	403
	F	mm	298	298
	G	mm	1478	1778
	K	mm	473	473
	L	mm	208	208
Approx. Weight Empty	kg		62	73
Relief Valve Setting	kPa		1400	1400
ECV Setting #	kPa		1200	1200
Max. Supply Pressure	kPa			
With Expansion Control Valve			960	960
Without Expansion Control Valve			1120	1120
Hourly Gas Consumption				
	Natural	MJ	27	27
	Propane	MJ	27	n/a
Water Connections (LHS)			Rp ¾	Rp ¾
Gas Connection			Rp ½	Rp ½

Vulcan Electric										
	Warranty									
Vulcan Single Element Left Handed	10 Years <sup>†</sup>				601080	601125	671160	661250	661315	661400
Vulcan Single Element Dual Hand	7 Years <sup>‡</sup>		691050							
Vulcan Twin Element Left Handed	10 Years <sup>†</sup>								662315	662400
Hot Water Delivery	Litres		50	80	125	160	250	315	400	
Storage Capacity	Litres		53	90	135	165	270	325	410	
Boost Capacity	Litres		–	–	–	–	–	50	90	
Dimensions	A	mm	695	875	1250	1610	1395	1640	1840	
	B	mm	400	460	480	480	640	640	690	
	C	mm	436	492	515	515	675	675	730	
	D	mm	397	475	852	1332	1117	1317	1479	
	E	mm	142	194	195	104	73	113	121	
	F	mm	60	112	112	66	103	103	105	
	G	mm	–	–	–	–	–	1255	1346	
	H	degrees	26	22	22	23	32	32	30	
	J	degrees	59	60	60	58	88	88	83	
Approx. Weight Packaged	kg		26	32	45	58	80	96	119	
Inlet/Outlet Connections	RP		Rp ¾	Rp ¾	Rp ¾	Rp ¾	Rp ¾	Rp ¾	Rp ¾	
Relief Valve Setting	kPa		1000	1000	1000	1400	1000	1000	1000	
ECV Setting #	kPa		850	850	850	1200	850	850	850	
Max. Supply Pressure	kPa									
With Expansion Control Valve			680	680	680	960	680	680	680	
Without Expansion Control Valve			800	800	800	1120	800	800	800	

Note: Outdoor models must be installed with the back of the water heater against a wall. Minimum distances from the flue terminal to openings into a building, corners and return walls apply.

Note: All water heaters operate on 240 volt single phase electricity supply.

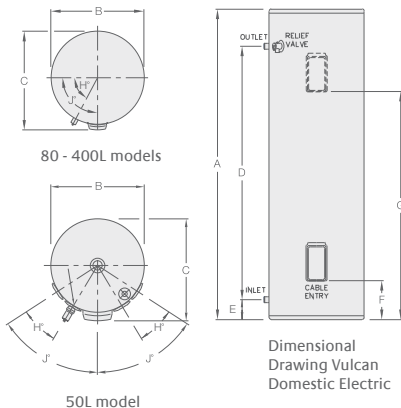
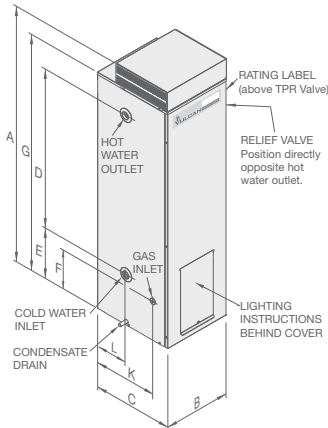
# ECV not supplied with water heater.

† Warranty: 10 years on cylinder, 1 year labour on cylinder, 1 year parts and labour (Electric 601080, 601125, 671160, 661250, 661315, 662315, 661400 & 662400).

‡ 7 years on cylinder, 1 year labour on cylinder, 1 year parts and labour (Electric 691050, Gas 648135, 648170).

Conditions apply. See the Vulcan warranty set out in the Owner's Guide & Installation Instructions or view at [www.vulcan.com.au/warranty](http://www.vulcan.com.au/warranty).

## Storage Tank Dimensions



## SIZING GUIDE

Vulcan Gas									
Storage Capacity in Litres	135	170							
No. of people – Moderate Climate	2-4	3-5							
No. of people – Cool Climate	2-3	3-4							
Vulcan Electric									
Delivery in Litres	50	80	125	160	250	315	400		
Continuous Tariff									
No. of People	1-2	1-2	2-3	2-4	3-5	4-6	5-9		
No. of Bedrooms					1-2	3	4-5		
Off-Peak Tariff									
No. of People					1-3	2-4	4-6		

Materials and specifications are subject to change without notice.

## Rheem Australia Pty Ltd.

PO Box 7508 Silverwater NSW 2128, Australia

National Sales Phone: 132 552

National Sales Fax: 1300 554 821

National Service Phone: 131 031

© Registered trademark of Rheem Australia Pty Ltd.

™ Trademark of SAI Global.

